

RACCORD GAZ PUR RDL



Descriptif :

C'est un raccord de haute précision et de haute finition en Inox 316L [(DIN 17440 – WN 14404) Z2CND 17-12] et 316 LN qui comprend :

- 1 écrou, 1 vis raccord, 1 joint et 2 embouts.
- Des éléments fixes à souder BW et SW.
- La préparation pour soudures orbitales.

Principe de fonctionnement :

Pour les raccords 5 pièces, l'étanchéité est assurée par la compression d'un joint métallique en Nickel entre le jonc circulaire de chaque embout situé de part et d'autre du joint.

Pour les éléments fixes, l'étanchéité est assurée par soudure.

Performances :

- Tenue au vide : 10^{-10} m bar L/S.
- Tenue en pression : 250 bars à température ambiante.
- Tenue en température : -450° à $+450^{\circ}$ C.
- Traitement anti-grippage de l'écrou de serrage : Argenture
- Electro-polissage de l'ensemble du raccord intérieur et extérieur.
- Ra intérieur du raccord : 0.6 ou 0.2 μ .
- Joint nickel 201 argenté.

Qualité :

Toutes les étapes de fabrication sont conformes à la norme ISO 9001 standard. La traçabilité des différentes étapes de fabrication peut vous être fournie sur simple demande (ce service est en option).

Etat de propreté : Le dégraissage aux ultrasons, le rinçage à l'eau DI filtrée et l'étuvage sont autant d'éléments, pour vous garantir un aspect esthétique et une finition digne des installations les plus soignées.

Conseil d'utilisation :

Pour que les performances du raccord RDL soient optimum, il est nécessaire de suivre les recommandations de montage suivantes :

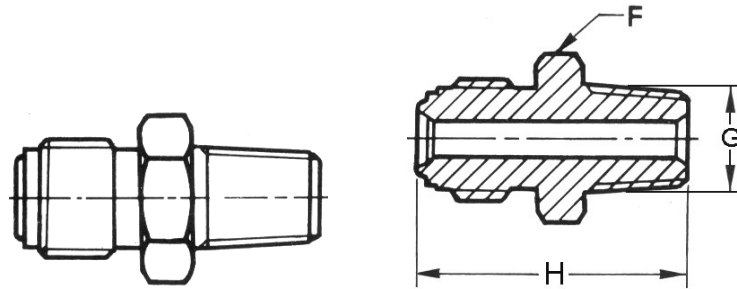
- Le tube doit être parfaitement aligné.
- Respect des paramètres de soudure.
- Blocage de l'écrou manuel, puis 1/8 de tour à la clé.

Après montage, 2 orifices sur l'écrou permettent de vérifier l'étanchéité de l'ensemble au vide. Ce montage permet de monter ou démonter des ensembles ou sous-ensembles dans une installation par déplacement latéral sans toucher aux autres éléments.

Raccords gaz purs filetés

Raccord droit

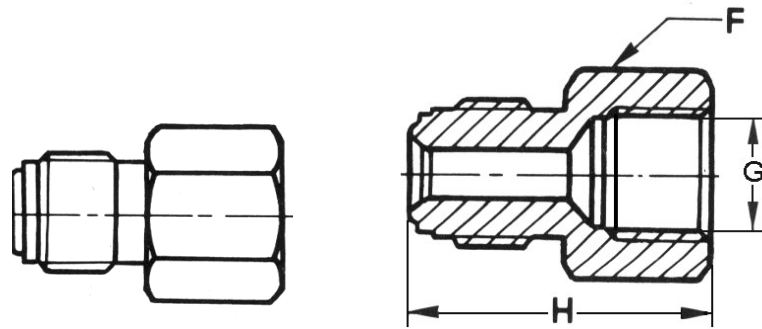
RDLUM



| Ø Tube | F | H | G | NPT | BSPT |
|--------|----|------|------|-------------|-------------|
| 4 | 13 | 33.3 | 1/4" | RDLUM2F8N | RDLUM2F8G |
| 6 | 19 | 37.8 | 1/4" | RDLUM4F8N | RDLUM4F8G |
| 8 | 19 | 37.8 | 1/4" | RDLUM4F8N | RDLUM4F8G |
| 8 | 24 | 41.9 | 1/2" | RDLUM4F15N | RDLUM4F15G |
| 10 | 24 | 37.8 | 1/4" | RDLUM8F8N | RDLUM8F8G |
| 10 | 24 | 41.9 | 1/2" | RDLUM8F15N | RDLUM8F15G |
| 12 | 24 | 46.7 | 1/2" | RDLUM8F15N | RDLUM8F15G |
| 14 | 32 | 55.6 | 1/2" | RDLUM12F15N | RDLUM12F15G |
| 14 | 32 | 55.6 | 3/4" | RDLUM12F20N | RDLUM12F20G |
| 18 | 32 | 55.6 | 3/4" | RDLUM16F20N | RDLUM16F20G |
| 20 | 32 | 62.7 | 1/2" | RDLUM16F15N | RDLUM16F15G |
| 20 | 32 | 62.7 | 3/4" | RDLUM16F20N | RDLUM16F20G |
| 25 | 41 | 62.7 | 1" | RDLUM16F25N | RDLUM16F25G |
| 1/8" | 13 | 33.3 | 1/4" | RDLUM2F8N | RDLUM2F8G |
| 1/4" | 19 | 37.8 | 1/4" | RDLUM4F8N | RDLUM4F8G |
| 3/8" | 24 | 41.9 | 1/4" | RDLUM8F8N | RDLUM8F8G |
| 3/8" | 24 | 41.9 | 1/2" | RDLUM8F15N | RDLUM8F15G |
| 1/2" | 24 | 46.7 | 1/2" | RDLUM8F15N | RDLUM8F15G |
| 3/4" | 32 | 55 | 1/2" | RDLUM12F15N | RDLUM12F15G |
| 3/4" | 32 | 55.6 | 3/4" | RDLUM12F20N | RDLUM12F20G |
| 1" | 41 | 62.7 | 1" | RDLUM16F25N | RDLUM16F25G |

Raccord femelle

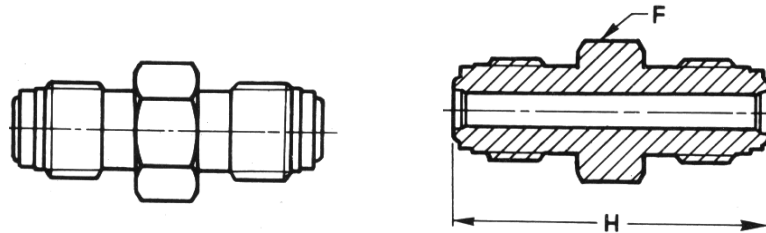
RDLUF



| Ø Tube | F | H | G | NPT | BSPP |
|--------|----|------|------|-------------|--------------|
| 4 | 14 | 38.9 | 1/4" | RDLUF2F8N | RDLUF2F8GC |
| 6 | 19 | 39.1 | 1/4" | RDLUF4F8N | RDLUF4F8GC |
| 8 | 24 | 39.1 | 1/4" | RDLUF4F8N | RDLUF4F8GC |
| 8 | 24 | 41 | 1/2" | RDLUF4F15N | RDLUF4F15GC |
| 10 | 24 | 39.1 | 1/4" | RDLUF8F8N | RDLUF8F8GC |
| 10 | 24 | 44.7 | 1/2" | RDLUF8F15N | RDLUF8F15GC |
| 12 | 27 | 48,5 | 1/2" | RDLUF8F15N | RDLUF8F15GC |
| 14 | 36 | 55 | 1/2" | RDLUF12F15N | RDLUF12F15GC |
| 14 | 36 | 59.9 | 3/4" | RDLUF12F20N | RDLUF12F20GC |
| 18 | 36 | 59.9 | 3/4" | RDLUF16F20N | RDLUF16F20GC |
| 20 | 36 | 63.8 | 1/2" | RDLUF16F15N | RDLUF16F15GC |
| 20 | 36 | 63.8 | 3/4" | RDLUF16F20N | RDLUF16F20GC |
| 25 | 41 | 63.8 | 1" | RDLUF16F25N | RDLUF16F25GC |
| 1/8" | 14 | 38.9 | 1/4" | RDLUF2F8N | RDLUF2F8GC |
| 1/4" | 19 | 39.1 | 1/4" | RDLUF4F8N | RDLUF4F8GC |
| 3/8" | 24 | 39.1 | 1/4" | RDLUF8F8N | RDLUF8F8GC |
| 3/8" | 24 | 44.7 | 1/2" | RDLUF8F15N | RDLUF8F15GC |
| 1/2" | 27 | 50.5 | 1/2" | RDLUF8F15N | RDLUF8F15GC |
| 3/4" | 36 | 55 | 1/2" | RDLUF12F15N | RDLUF12F15GC |
| 3/4" | 36 | 59.9 | 3/4" | RDLUF12F20N | RDLUF12F20GC |
| 1" | 41 | 63.8 | 1" | RDLUF16F25N | RDLUF16F25GC |

Union double fileté

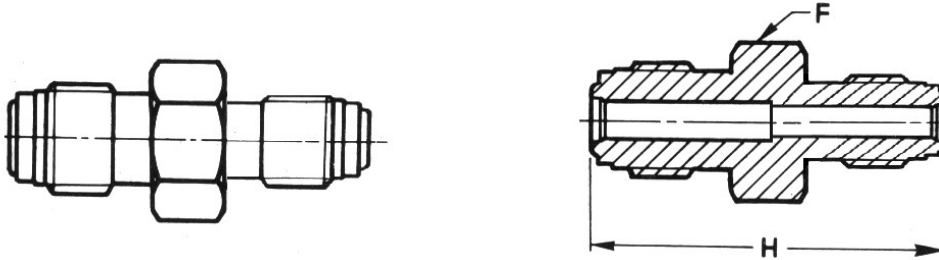
RDLUD



| Ø Tube | F | H | Inox 316L |
|--------|----|------|-----------|
| 4 | 14 | 28.7 | RDLUD2F |
| 6 | 19 | 39.4 | RDLUD4F |
| 8 | 24 | 39.4 | RDLUD4F |
| 10 | 24 | 46.7 | RDLUD8F |
| 12 | 24 | 46.7 | RDLUD8F |
| 14 | 32 | 62 | RDLUD12F |
| 18 | 32 | 62 | RDLUD12F |
| 20 | 32 | 65.8 | RDLUD16F |
| 25 | 41 | 65.8 | RDLUD16F |
| 1/8" | 14 | 28.7 | RDLUD2F |
| 1/4" | 19 | 39.4 | RDLUD4F |
| 1/2" | 24 | 46.7 | RDLUD8F |
| 3/4" | 32 | 62 | RDLUD12F |
| 1" | 41 | 65.8 | RDLUD16F |

Union double réduction filetée

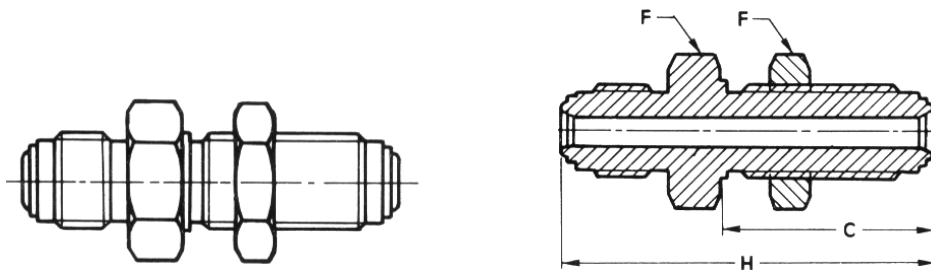
RDLUR



| Ø Tube1 | Ø Tube2 | F | H | Inox 316L |
|-------------|---------|----|-------|-----------|
| 6/8 | 4 | 14 | 34.8 | RDLUR4F2F |
| 10/12 | 6/8 | 19 | 43.4 | RDLUR8F4F |
| 1/4" | 1/8" | 32 | 665.8 | RDLUR4F2F |
| 3/8" & 1/2" | 1/4" | 19 | 43.4 | RDLUR8F4F |

Union double de cloison fileté

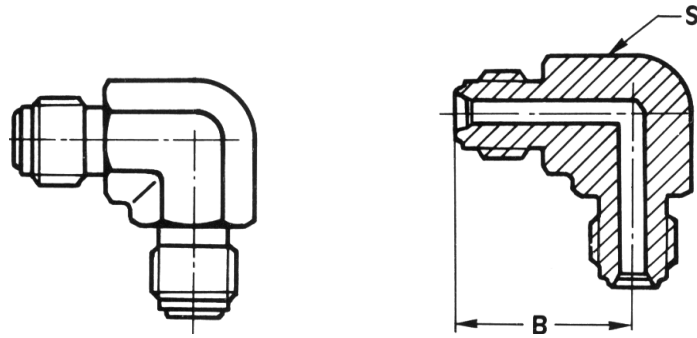
RDLTC



| Ø Tube | F | C | H | Inox 316L |
|--------|----|------|------|-----------|
| 6/8 | 19 | 33 | 56.6 | RDLTC4F |
| 10/12 | 24 | 37.6 | 65.4 | RDLTC8F |
| 1/4" | 19 | 33 | 56.6 | RDLTC4F |
| 1/2" | 24 | 37.6 | 65.4 | RDLTC8F |

Coude égal fileté

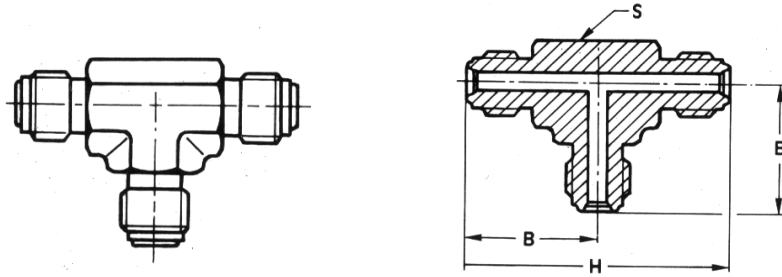
RDLCE..F



| Ø Tube | B | S | Inox 316L |
|--------|------|----|-----------|
| 4 | 22.6 | 14 | RDLCE2F |
| 6 | 27.2 | 14 | RDLCE4F |
| 8 | 27.2 | 24 | RDLCE4F |
| 10 | 36.8 | 24 | RDLCE8F |
| 12 | 36.8 | 24 | RDLCE8F |
| 14 | 48.8 | 24 | RDLCE12F |
| 18 | 48.8 | 24 | RDLCE12F |
| 20 | 50.8 | 24 | RDLCE16F |
| 25 | 50.8 | 24 | RDLCE16F |
| 1/8" | 22.6 | 14 | RDLCE2F |
| 1/4" | 27.2 | 14 | RDLCE4F |
| 1/2" | 36.8 | 24 | RDLCE8F |
| 3/4" | 48.8 | 24 | RDLCE12F |
| 1" | 50.8 | 24 | RDLCE16F |

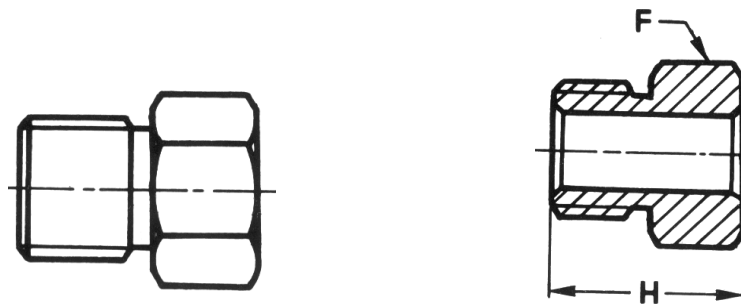
Té égal fileté

RDLTE..F



| Ø Tube | B | H | S | Inox 316L |
|--------|------|------|----|-----------|
| 4 | 22.6 | 45.2 | 14 | RDLTE2F |
| 6 | 27.2 | 54.4 | 14 | RDLTE4F |
| 8 | 27.2 | 54.4 | 24 | RDLTE4F |
| 10 | 36.8 | 73.7 | 24 | RDLTE8F |
| 12 | 36.8 | 73.7 | 24 | RDLTE8F |
| 14 | 48.8 | 97.5 | 24 | RDLTE12F |
| 18 | 48.8 | 97.5 | 24 | RDLTE12F |
| 20 | 50.8 | 102 | 24 | RDLTE16F |
| 25 | 50.8 | 102 | 24 | RDLTE16F |
| 1/8" | 22.6 | 45.2 | 14 | RDLTE2F |
| 1/4" | 27.2 | 54.4 | 14 | RDLTE4F |
| 1/2" | 36.8 | 73.7 | 24 | RDLTE8F |
| 3/4" | 48.8 | 97.5 | 24 | RDLTE12F |
| 1" | 50.8 | 102 | 24 | RDLTE16F |

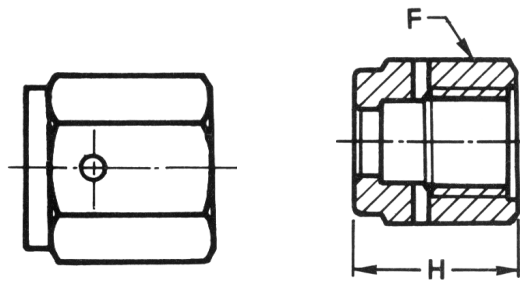
Ecrou mâle RDLEM



| Ø tube | F | H | Inox 316 |
|---------|----|------|-----------|
| 1/8" | 14 | 12.7 | RDLEM2F |
| 1/4" | 19 | 18 | RDLEM4F |
| 1/4" HV | 19 | 18 | RDLEM4F6I |
| 1/2" | 27 | 20.6 | RDLEM8F |
| 3/4" | 32 | 25.4 | RDLEM12F |
| 1" | 41 | 30.2 | RDLEM16F |

Ecrou femelle

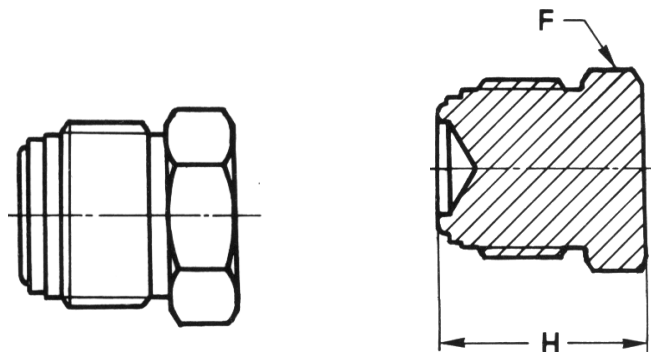
RDLEF



| Ø tube | F | H | Inox 316 |
|---------|----|------|-----------|
| 1/8" | 13 | 13.5 | RDLEF2F |
| 1/4" | 19 | 20,6 | RDLEF4F |
| 1/4" HV | 19 | 20.6 | RDLEF4F6I |
| 1/2" | 27 | 22.4 | RDLEF8F |
| 3/4" | 36 | 28.4 | RDLEF12F |
| 1" | 41 | 34 | RDLEF16F |

Bouchon mâle

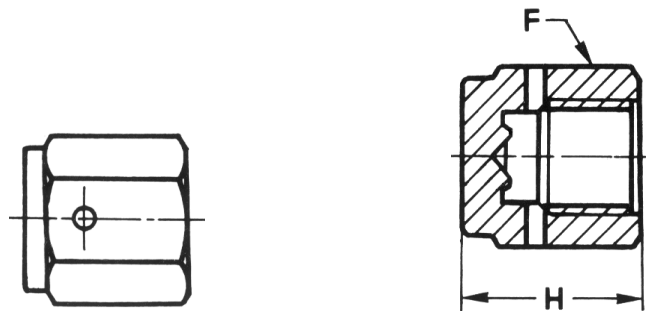
RDLBM



| Ø tube | F | H | Inox 316 |
|--------|----|------|----------|
| 1/8" | 14 | 17.3 | RDLBM2F |
| 1/4" | 19 | 23.4 | RDLBM4F |
| 1/2" | 27 | 27.4 | RDLBM8F |
| 3/4" | 32 | 36.3 | RDLBM12F |
| 1" | 41 | 38.6 | RDLBM16F |

Bouchon femelle

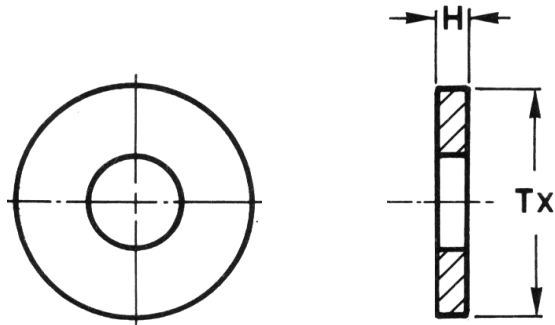
RDLBF



| Ø Tube | F | H | Inox 316 |
|--------|----|------|----------|
| 1/8" | 13 | 16 | RDLBF2F |
| 1/4" | 19 | 23.9 | RDLBF4F |
| 1/2" | 27 | 25.6 | RDLBF8F |
| 3/4" | 36 | 32.8 | RDLBF12F |
| 1" | 41 | 39.1 | RDLBF16F |

Joint

RDLJM

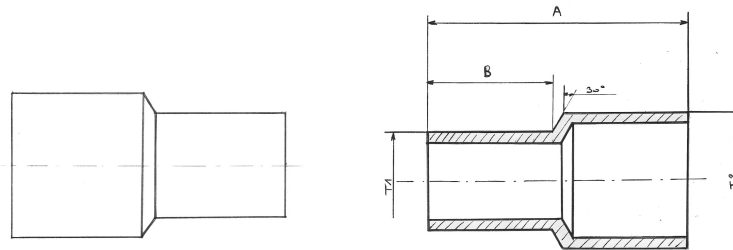


| Ø Tube | Tx | H | Inox revêtu argent |
|---------------|-----------|----------|---------------------------|
| 1/8" | 6,5 | 0,8 | RDLJM2F |
| 1/4" | 12,5 | 0,8 | RDLJM4F |
| 1/2" | 19,5 | 0,8 | RDLJM8F |
| 3/4" | 30 | 1 | RDLJM12F |
| 1" | 36,5 | 1 | RDLJM16F |

Raccord gaz purs à souder

Union de réduction

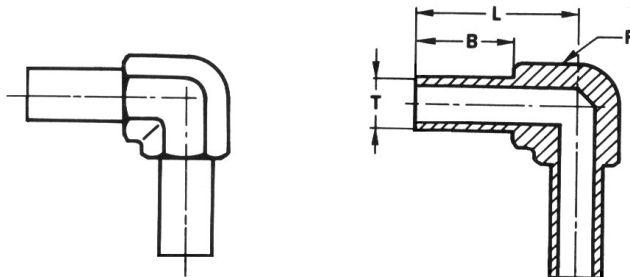
RDLR



| Ø Tube1 | Ø Tube2 | A | B = 19,3 mm | B = 25,5 mm |
|---------|---------|---|---------------|---------------|
| 4 | 6 | | RDLR6M4M12I | RDLR6M4M16I |
| 6 | 8 | | RDLRLM6M12I | RDLR8M6M16I |
| 6 | 10 | | RDLRL0M6M12I | RDLR10M6M16I |
| 6 | 12 | | RDLRL2M6M12I | RDLR12M6M16I |
| 8 | 10 | | RDLR10M8M12I | RDLR10M8M16I |
| 8 | 12 | | RDLR12M8M12I | RDLR12M8M16I |
| 10 | 12 | | RDLR12M10M12I | RDLR12M10M16I |
| 12 | 14 | | RDLR14M12M12I | RDLR14M12M16I |
| 12 | 18 | | RDLR18M12M12I | RDLR18M12M16I |
| 12 | 20 | | RDLR20M12M12I | RDLR20M12M16I |
| 12 | 25 | | RDLR25M12M12I | RDLR25M12M16I |
| 1/8" | 1/4" | | RDLR4I2I12I | RDLR4I2I16I |
| 1/4" | 3/8" | | RDLR6I4I12I | RDLR6I4I16I |
| 1/4" | 1/2" | | RDLR8I4I12I | RDLR8I4I16I |
| 3/8" | 1/2" | | RDLR8I6I12I | RDLR8I6I16I |
| 1/2" | 3/4" | | RDLR12I8I12I | RDLR12I8I16I |
| 1/2" | 1" | | RDLR16I8I12I | RDLR16I8I16I |
| 3/4" | 1" | | RDLR16I12I12I | RDLR16I12I16I |

Coude égal

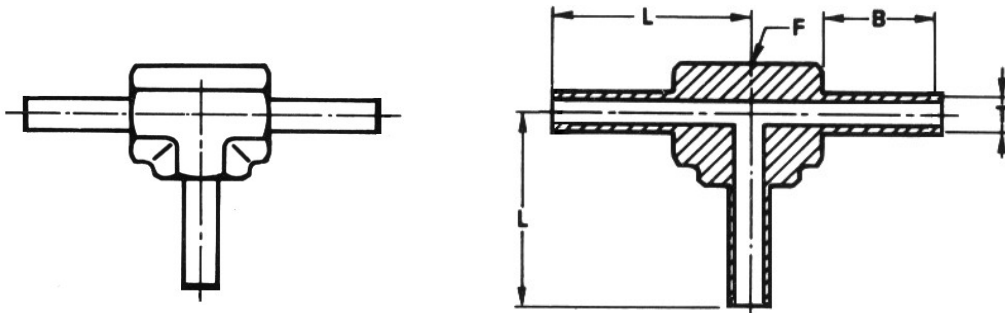
RDLCE



| Ø Tube | B | F | L | Inox 316L |
|--------|------|----|------|-------------|
| 4 | 19,3 | 10 | 27 | RDLCE4M12I |
| 6 | 19,3 | 10 | 27 | RDLCE6M12I |
| 8 | 19,3 | 13 | 28,5 | RDLCE8M12I |
| 10 | 19,3 | 13 | 28,5 | RDLCE10M12I |
| 12 | 19,3 | 17 | 30 | RDLCE12M12I |
| 14 | 19,3 | 17 | 30 | RDLCE14M12I |
| 18 | 19,3 | 25 | 34 | RDLCE18M12I |
| 20 | 19,3 | 25 | 34 | RDLCE20M12I |
| 25 | 19,3 | 30 | 36,5 | RDLCE25M12I |
| 1/8" | 19,3 | 10 | 27 | RDLCE2I12I |
| 1/4" | 19,3 | 10 | 27 | RDLCE4I12I |
| 3/8" | 19,3 | 13 | 28,5 | RDLCE6I12I |
| 1/2" | 19,3 | 17 | 30 | RDLCE8I12I |
| 3/4" | 19,3 | 25 | 34 | RDLCE12I12I |
| 1" | 19,3 | 30 | 36,5 | RDLCE16I12I |

Té égal

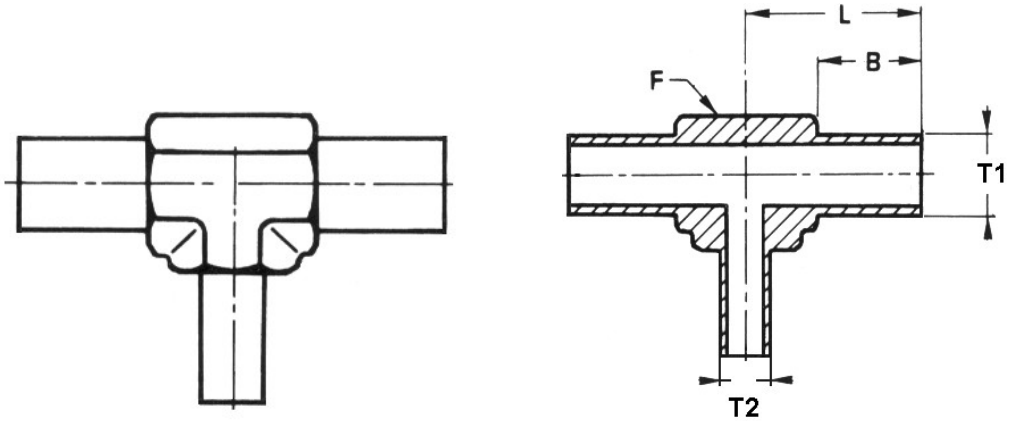
RDLTE



| Ø Tube | L | F | B | Inox 316L |
|--------|------|----|------|-------------|
| 4 | 27 | 10 | 19,3 | RDLTE4M12I |
| 6 | 27 | 10 | 19,3 | RDLTE6M12I |
| 8 | 28,5 | 13 | 19,3 | RDLTE8M12I |
| 10 | 28,5 | 13 | 19,3 | RDLTE10M12I |
| 12 | 30 | 17 | 19,3 | RDLTE12M12I |
| 14 | 30 | 17 | 19,3 | RDLTE14M12I |
| 18 | 34 | 25 | 19,3 | RDLTE18M12I |
| 20 | 34 | 25 | 19,3 | RDLTE20M12I |
| 25 | 36,5 | 30 | 19,3 | RDLTE25M12I |
| 1/8" | 27 | 10 | 19,3 | RDLTE2I12I |
| 1/4" | 27 | 10 | 19,3 | RDLTE4I12I |
| 3/8" | 28,5 | 13 | 19,3 | RDLTE6I12I |
| 1/2" | 30 | 17 | 19,3 | RDLTE8I12I |
| 3/4" | 34 | 25 | 19,3 | RDLTE12I12I |
| 1" | 36,5 | 30 | 19,3 | RDLTE16I12I |

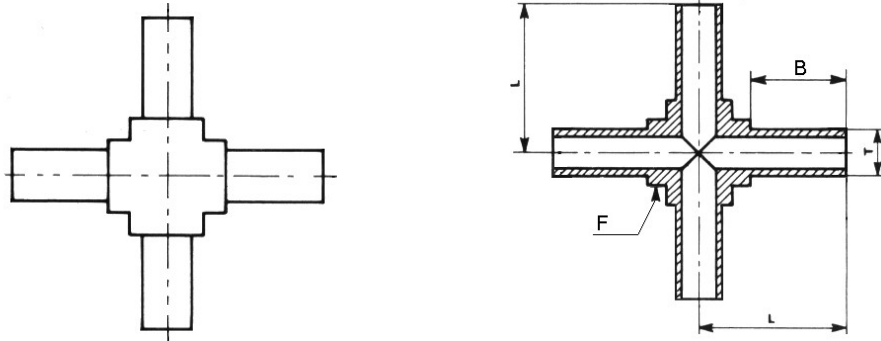
Té réduit

RDLTR



| Ø Tube1 | Ø Tube2 | L | F | B | Inox 316L |
|---------|---------|------|----|------|----------------|
| 6 | 4 | 27 | 10 | 19,3 | RDLTR6M4M12I |
| 8 | 6 | 27 | 10 | 19,3 | RDLTR8M6M12I |
| 10 | 6 | 28,5 | 13 | 19,3 | RDLTR10M6M12I |
| 12 | 6 | 28,5 | 13 | 19,3 | RDLTR12M6M12I |
| 10 | 8 | 28,5 | 13 | 19,3 | RDLTR10M8M12I |
| 12 | 8 | 30 | 17 | 19,3 | RDLTR12M8M12I |
| 12 | 10 | 30 | 17 | 19,3 | RDLTR12M10M12I |
| 14 | 12 | 30 | 17 | 19,3 | RDLTR14M12M12I |
| 18 | 12 | 34 | 25 | 19,3 | RDLTR18M12M12I |
| 20 | 12 | 34 | 25 | 19,3 | RDLTR20M12M12I |
| 25 | 12 | 36,5 | 30 | 19,3 | RDLTR25M12M12I |
| 20 | 18 | 36,5 | 25 | 19,3 | RDLTR20M18M12I |
| 25 | 18 | 36,5 | 30 | 19,3 | RDLTR25M18M12I |
| 25 | 20 | 36,5 | 30 | 19,3 | RDLTR25M20M12I |
| 1/4" | 1/8" | 27 | 10 | 19,3 | RDLTR4I2I12I |
| 1/2" | 1/4" | 30 | 17 | 19,3 | RDLTR8I4I12I |
| 1/2" | 3/8" | 30 | 17 | 19,3 | RDLTR8I6I12I |
| 3/4" | 1/2" | 34 | 25 | 19,3 | RDLTR12I8I12I |
| 1" | 3/4" | 36,5 | 30 | 19,3 | RDLTR16I12I12I |

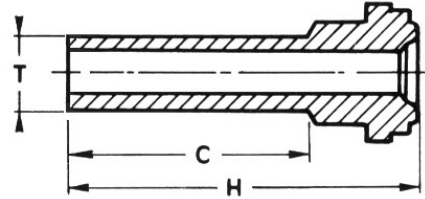
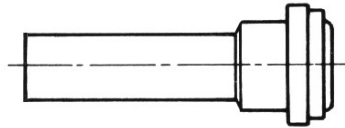
Croix égale
RDLCR



| Ø Tube | L | F | B | Inox 316L |
|--------|------|----|------|-------------|
| 4 | 27 | 10 | 19,3 | RDLCR4M12I |
| 6 | 27 | 10 | 19,3 | RDLCR6M12I |
| 8 | 28,5 | 13 | 19,3 | RDLCR8M12I |
| 10 | 28,5 | 13 | 19,3 | RDLCR10M12I |
| 12 | 30 | 17 | 19,3 | RDLCR12M12I |
| 14 | 30 | 17 | 19,3 | RDLCR14M12I |
| 18 | 34 | 25 | 19,3 | RDLCR18M12I |
| 20 | 34 | 25 | 19,3 | RDLCR20M12I |
| 25 | 36,5 | 30 | 19,3 | RDLCR25M12I |
| 1/8" | 27 | 10 | 19,3 | RDLCR2I12I |
| 1/4" | 27 | 10 | 19,3 | RDLCR4I12I |
| 3/8" | 28,5 | 13 | 19,3 | RDLCR6I12I |
| 1/2" | 30 | 17 | 19,3 | RDLCR8I12I |
| 3/4" | 34 | 25 | 19,3 | RDLCR12I12I |
| 1" | 36,5 | 30 | 19,3 | RDLCR16I12I |

Embout court

RDLEC

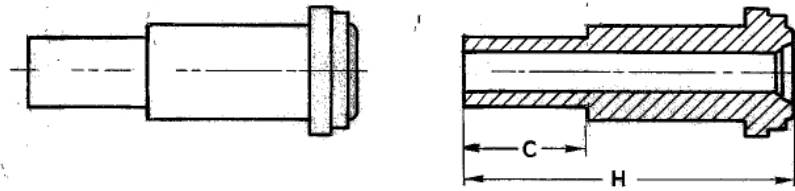


| Ø Tube | C = 6,4 mm | H | C = 9,6 mm | H | C = 12,8 mm | H |
|--------|--------------|------|--------------|------|--------------|------|
| 4 | RDLEC4L4M4I | 14,2 | RDLEC4L4M6I | 17,4 | RDLEC4L4M8I | 20,6 |
| 6 | RDLEC4L6M4I | 16,3 | RDLEC4L6M6I | 19,5 | RDLEC4L6M8I | 22,7 |
| 8 | RDLEC4L8M4I | 16,3 | RDLEC4L8M6I | 19,5 | RDLEC4L8M8I | 22,7 |
| 10 | RDLEC4L10M4I | 16,3 | RDLEC4L10M6I | 19,5 | RDLEC4L10M8I | 22,7 |
| 12 | RDLEC4L12M4I | 16,3 | RDLEC4L12M6I | 19,5 | RDLEC4L12M8I | 22,7 |
| 14 | RDLEC4L14M4I | 17,8 | RDLEC4L14M6I | 21 | RDLEC4L14M8I | 24,2 |
| 18 | RDLEC4L18M4I | 17,8 | RDLEC4L18M6I | 21 | RDLEC4L18M8I | 24,2 |
| 20 | RDLEC4L20M4I | 22,8 | RDLEC4L20M6I | 26 | RDLEC4L20M8I | 29,2 |
| 25 | RDLEC4L25M4I | 22,8 | RDLEC4L25M6I | 26 | RDLEC4L25M8I | 29,2 |
| 1/8" | RDLEC4L2I4I | 14,7 | RDLEC4L2I6I | 17,9 | RDLEC4L2I8I | 21,1 |
| 1/4" | RDLEC4L4I4I | 15,2 | RDLEC4L4I6I | 18,3 | RDLEC4L4I8I | 21,6 |
| 3/8" | RDLEC4L6I4I | 15,2 | RDLEC4L6I6I | 18,4 | RDLEC4L6I8I | 21,6 |
| 1/2" | RDLEC4L8I4I | 15,2 | RDLEC4L8I6I | 18,4 | RDLEC4L8I8I | 21,6 |
| 3/4" | RDLEC4L12I4I | 22,8 | RDLEC4L12I6I | 26 | RDLEC4L12I8I | 29,2 |
| 1" | RDLEC4L16L4I | 22,8 | RDLEC4L16L6I | 26 | RDLEC4L16L8I | 29,2 |

| Ø Tube | C = 19,3 mm | H | C = 25,5 mm | H |
|--------|---------------|------|---------------|------|
| 4 | RDLEC4L4M12I | 27,4 | RDLEC4L4M16I | 33,3 |
| 6 | RDLEC4L6M12I | 29,5 | RDLEC4L6M16I | 35,4 |
| 8 | RDLEC4L8M12I | 29,5 | RDLEC4L8M16I | 35,4 |
| 10 | RDLEC4L10M12I | 29,5 | RDLEC4L10M16I | 35,4 |
| 12 | RDLEC4L12M12I | 29,5 | RDLEC4L12M16I | 35,4 |
| 14 | RDLEC4L14M12I | 31 | RDLEC4L14M16I | 36,9 |
| 18 | RDLEC4L18M12I | 31 | RDLEC4L18M16I | 36,9 |
| 20 | RDLEC4L20M12I | 36 | RDLEC4L20M16I | 41,9 |
| 25 | RDLEC4L25M12I | 36 | RDLEC4L25M16I | 41,9 |
| 1/8" | RDLEC4L2I12I | 27,9 | RDLEC4L2I16I | 33,8 |
| 1/4" | RDLEC4L4I12I | 28,4 | RDLEC4L4I16I | 34,3 |
| 3/8" | RDLEC4L6I12I | 28,4 | RDLEC4L6I16I | 34,3 |
| 1/2" | RDLEC4L8I12I | 28,4 | RDLEC4L8I16I | 34,3 |
| 3/4" | RDLEC4L12I12I | 36 | RDLEC4L12I16I | 41,9 |
| 1" | RDLEC4L16L12I | 36 | RDLEC4L16L16I | 41,9 |

Embout long

RDLEL

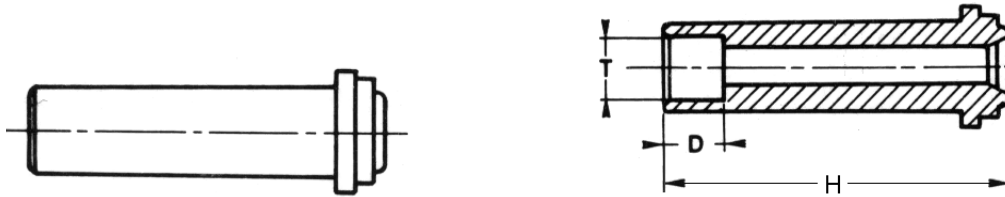


| Ø Tube | C = 6,4 mm | H | C = 9,6 mm | H | C = 12,8 mm | H |
|--------|--------------|------|--------------|------|--------------|------|
| 4 | RDLEL4L4M4I | 30,5 | RDLEL4L4M6I | 33,7 | RDLEL4L4M8I | 36,9 |
| 6 | RDLEL4L6M4I | 30,5 | RDLEL4L6M6I | 33,7 | RDLEL4L6M8I | 36,9 |
| 8 | RDLEL4L8M4I | 30,5 | RDLEL4L8M6I | 33,7 | RDLEL4L8M8I | 36,9 |
| 10 | RDLEL4L10M4I | 32,8 | RDLEL4L10M6I | 36 | RDLEL4L10M8I | 39,2 |
| 12 | RDLEL4L12M4I | 32,8 | RDLEL4L12M6I | 36 | RDLEL4L12M8I | 39,2 |
| 14 | RDLEL4L14M4I | 38,9 | RDLEL4L14M6I | 42,1 | RDLEL4L14M8I | 45,3 |
| 18 | RDLEL4L18M4I | 38,9 | RDLEL4L18M6I | 42,1 | RDLEL4L18M8I | 45,3 |
| 20 | RDLEL4L20M4I | 46,2 | RDLEL4L20M6I | 49,4 | RDLEL4L20M8I | 52,6 |
| 25 | RDLEL4L25M4I | 46,2 | RDLEL4L25M6I | 49,4 | RDLEL4L25M8I | 52,6 |
| 1/8" | RDLEL4L2I4I | 23,4 | RDLEL4L2I6I | 26,6 | RDLEL4L2I8I | 29,8 |
| 1/4" | RDLEL4L4I4I | 30,5 | RDLEL4L4I6I | 33,7 | RDLEL4L4I8I | 36,9 |
| 3/8" | RDLEL4L6I4I | 32,8 | RDLEL4L6I6I | 36 | RDLEL4L6I8I | 39,2 |
| 1/2" | RDLEL4L8I4I | 32,8 | RDLEL4L8I6I | 36 | RDLEL4L8I8I | 39,2 |
| 3/4" | RDLEL4L12I4I | 38,9 | RDLEL4L12I6I | 42,1 | RDLEL4L12I8I | 45,3 |
| 1" | RDLEL4L16L4I | 46,2 | RDLEL4L16L6I | 49,4 | RDLEL4L16L8I | 52,6 |

| Ø Tube | C = 19,3 mm | H | C = 25,5 mm | H |
|--------|---------------|------|---------------|------|
| 4 | RDLEL4L4M12I | 43,2 | RDLEL4L4M16I | 49,6 |
| 6 | RDLEL4L6M12I | 43,2 | RDLEL4L6M16I | 49,6 |
| 8 | RDLEL4L8M12I | 43,2 | RDLEL4L8M16I | 49,6 |
| 10 | RDLEL4L10M12I | 45,5 | RDLEL4L10M16I | 51,9 |
| 12 | RDLEL4L12M12I | 45,5 | RDLEL4L12M16I | 51,9 |
| 14 | RDLEL4L14M12I | 51,6 | RDLEL4L14M16I | 58 |
| 18 | RDLEL4L18M12I | 51,6 | RDLEL4L18M16I | 58 |
| 20 | RDLEL4L20M12I | 58,9 | RDLEL4L20M16I | 65,3 |
| 25 | RDLEL4L25M12I | 58,9 | RDLEL4L25M16I | 65,3 |
| 1/8" | RDLEL4L2I12I | 36,1 | RDLEL4L2I16I | 42,5 |
| 1/4" | RDLEL4L4I12I | 43,2 | RDLEL4L4I16I | 49,6 |
| 3/8" | RDLEL4L6I12I | 45,5 | RDLEL4L6I16I | 51,9 |
| 1/2" | RDLEL4L8I12I | 45,5 | RDLEL4L8I16I | 51,9 |
| 3/4" | RDLEL4L12I12I | 51,6 | RDLEL4L12I16I | 58 |
| 1" | RDLEL4L16L12I | 58,9 | RDLEL4L16L16I | 65,3 |

Embout socket

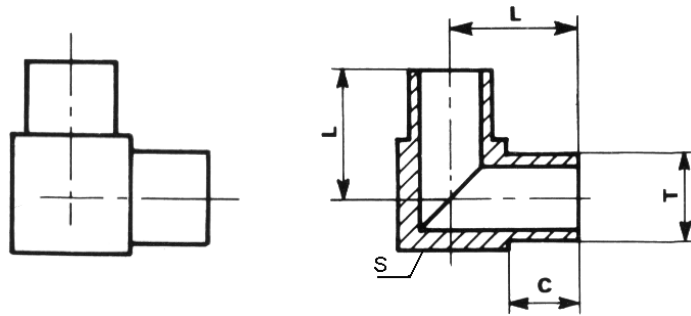
RDLESW



| Ø Tube | D | H | Inox 316L |
|--------|------|----|-----------|
| 4 | 6 | 28 | RDLESW4M |
| 6 | 7 | 33 | RDLESW6M |
| 8 | 8 | 38 | RDLESW8M |
| 10 | 8 | 38 | RDLESW10M |
| 12 | 8 | 38 | RDLESW12M |
| 14 | 11 | 50 | RDLESW14M |
| 18 | 11 | 50 | RDLESW18M |
| 20 | 11 | 50 | RDLESW20M |
| 25 | 15,5 | 56 | RDLESW25M |
| 1/8" | 2,5 | 18 | RDLESW2I |
| 1/4" | 7 | 33 | RDLESW4I |
| 3/8" | 8 | 38 | RDLESW6I |
| 1/2" | 8 | 38 | RDLESW8I |
| 3/4" | 11 | 50 | RDLESW12I |
| 1" | 15,5 | 56 | RDLESW16I |

Raccords gaz purs micro à souder

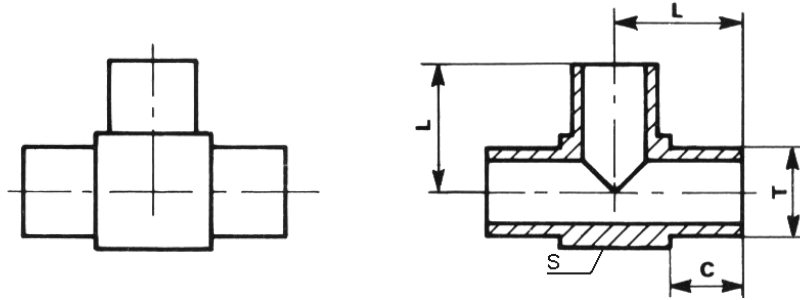
Coude micro RDLCM



| Ø Tube | L | C | S | Inox 316L |
|--------|-------|-----|----|-----------|
| 4 | 11,35 | 6,4 | 10 | RDLCEM4M |
| 6 | 11,35 | 6,4 | 10 | RDLCEM6M |
| 8 | 12,85 | 6,4 | 13 | RDLCEM8M |
| 10 | 12,85 | 6,4 | 13 | RDLCEM10M |
| 12 | 14,85 | 6,4 | 17 | RDLCEM12M |
| 20 | 18,85 | 6,4 | 25 | RDLCEM20M |
| 25 | 21,35 | 6,4 | 30 | RDLCEM25M |
| 1/8" | 11,35 | 6,4 | 10 | RDLCEM2I |
| 1/4" | 11,35 | 6,4 | 10 | RDLCEM4I |
| 3/8" | 12,85 | 6,4 | 13 | RDLCEM6I |
| 1/2" | 14,85 | 6,4 | 17 | RDLCEM8I |
| 3/4" | 18,85 | 6,4 | 25 | RDLCEM12I |
| 1" | 21,35 | 6,4 | 30 | RDLCEM16I |

Té micro

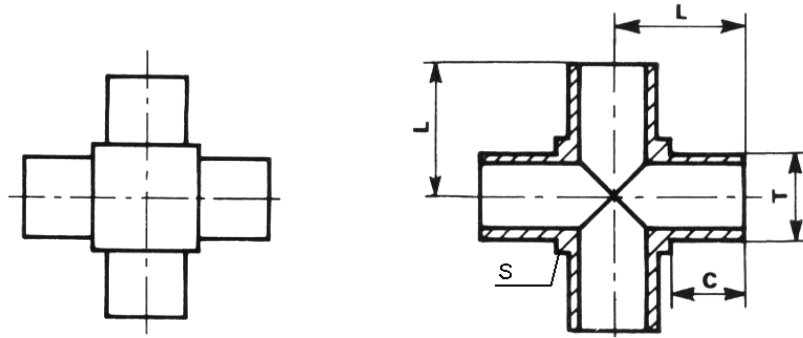
RDLTM



| Ø Tube | L | C | S | Inox 316L |
|--------|-------|-----|----|-----------|
| 4 | 11,35 | 6,4 | 10 | RDLTEM4M |
| 6 | 11,35 | 6,4 | 10 | RDLTEM6M |
| 8 | 12,85 | 6,4 | 13 | RDLTEM8M |
| 10 | 12,85 | 6,4 | 13 | RDLTEM10M |
| 12 | 14,85 | 6,4 | 17 | RDLTEM12M |
| 20 | 18,85 | 6,4 | 25 | RDLTEM20M |
| 25 | 21,35 | 6,4 | 30 | RDLTEM25M |
| 1/8" | 11,35 | 6,4 | 10 | RDLTEM2I |
| 1/4" | 11,35 | 6,4 | 10 | RDLTEM4I |
| 3/8" | 12,85 | 6,4 | 13 | RDLTEM6I |
| 1/2" | 14,85 | 6,4 | 17 | RDLTEM8I |
| 3/4" | 18,85 | 6,4 | 25 | RDLTEM12I |
| 1" | 21,35 | 6,4 | 30 | RDLTEM16I |

Croix micro

RDLCRM



| Ø Tube | L | C | S | Inox 316L |
|--------|-------|-----|----|-----------|
| 4 | 11,35 | 6,4 | 10 | RDLCRM4M |
| 6 | 11,35 | 6,4 | 10 | RDLCRM6M |
| 8 | 12,85 | 6,4 | 13 | RDLCRM8M |
| 10 | 12,85 | 6,4 | 13 | RDLCRM10M |
| 12 | 14,85 | 6,4 | 17 | RDLCRM12M |
| 20 | 18,85 | 6,4 | 25 | RDLCRM20M |
| 25 | 21,35 | 6,4 | 30 | RDLCRM25M |
| 1/8" | 11,35 | 6,4 | 10 | RDLCRM2I |
| 1/4" | 11,35 | 6,4 | 10 | RDLCRM4I |
| 3/8" | 12,85 | 6,4 | 13 | RDLCRM6I |
| 1/2" | 14,85 | 6,4 | 17 | RDLCRM8I |
| 3/4" | 18,85 | 6,4 | 25 | RDLCRM12I |
| 1" | 21,35 | 6,4 | 30 | RDLCRM16I |

